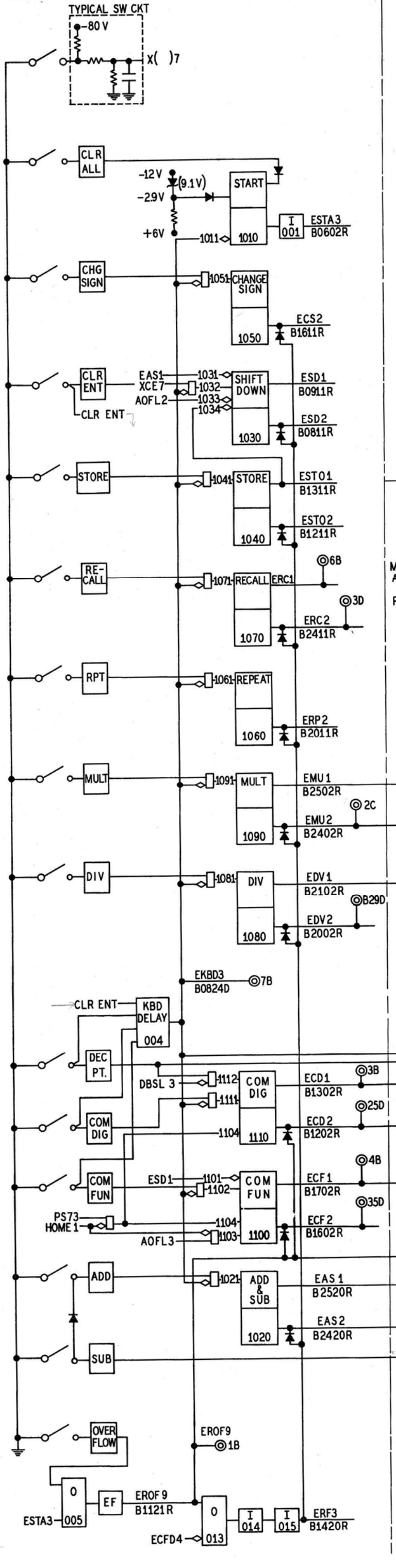
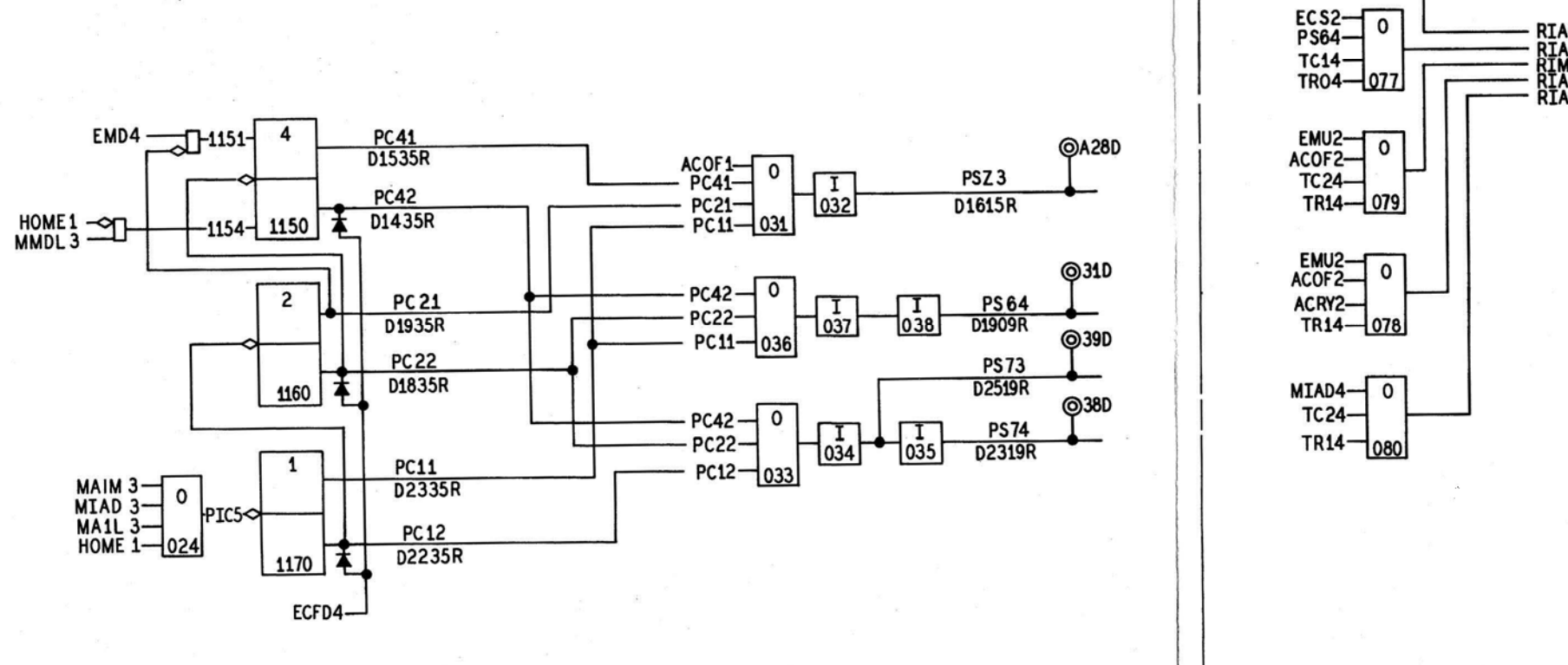


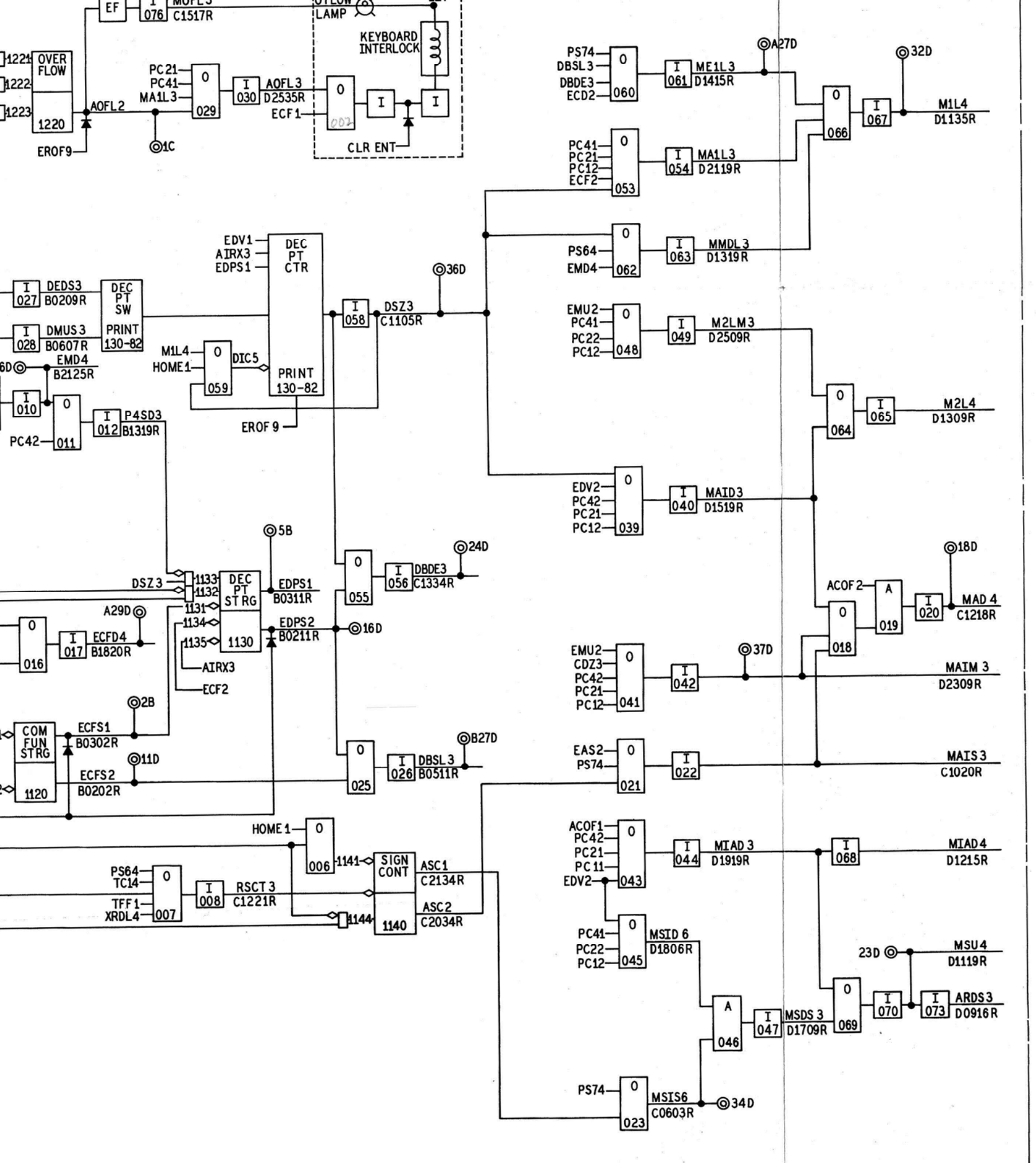
ENTRY FUNCTION



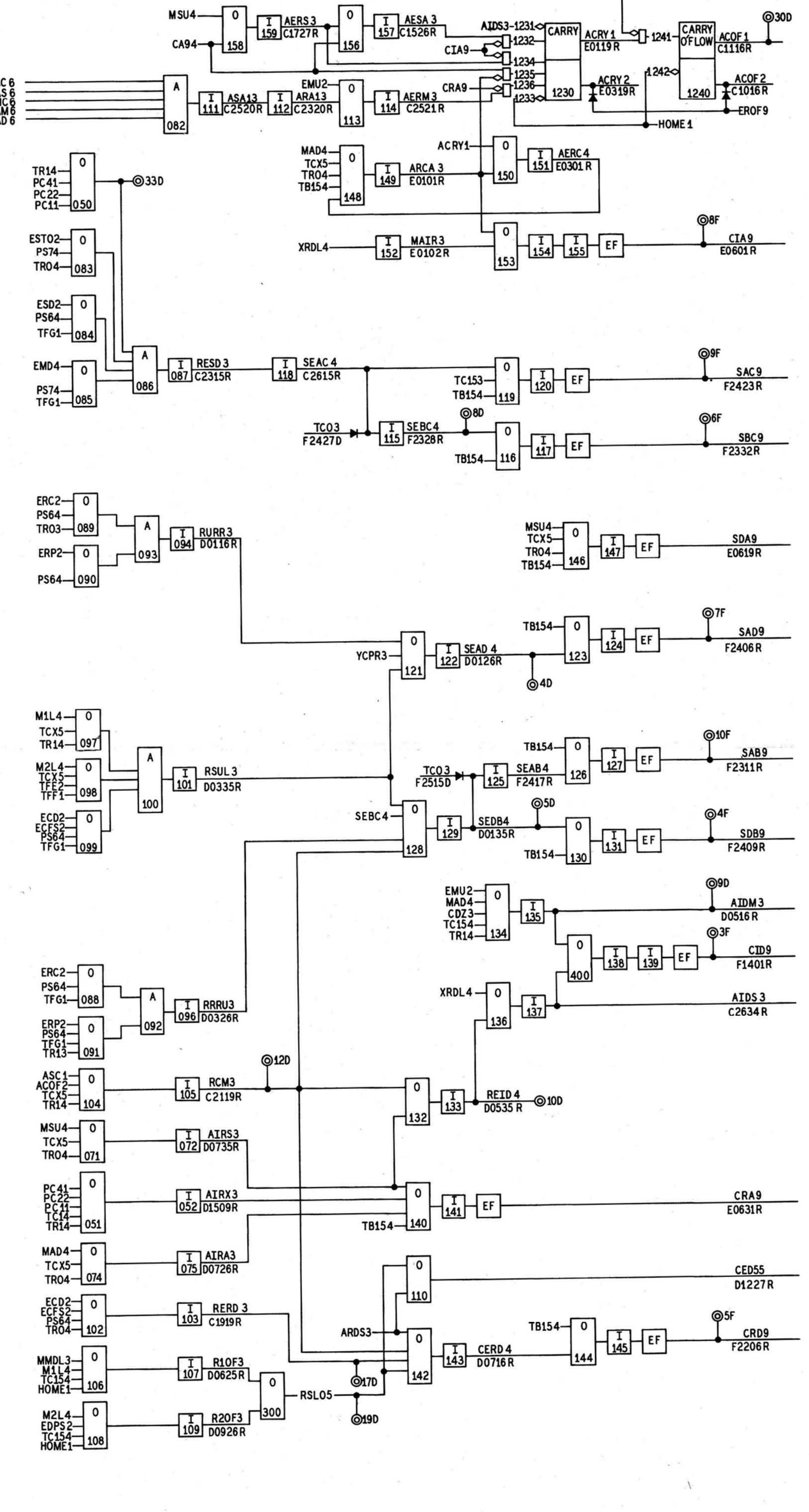
ENTRY PHASE COUNTER



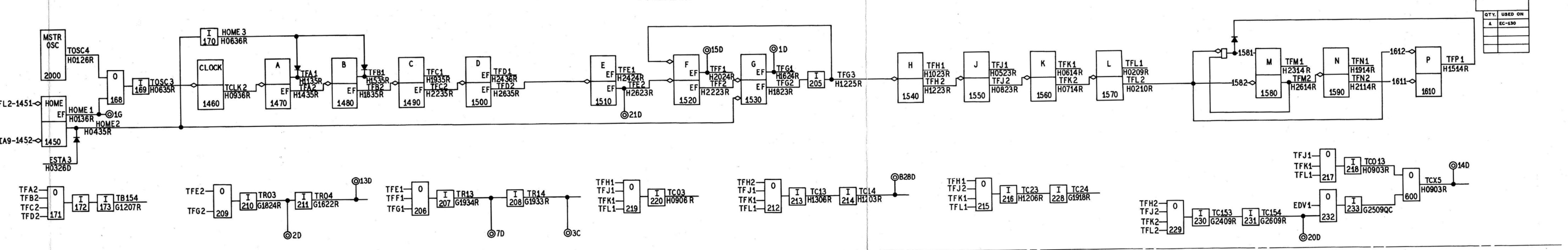
MASTER FUNCTION GATING



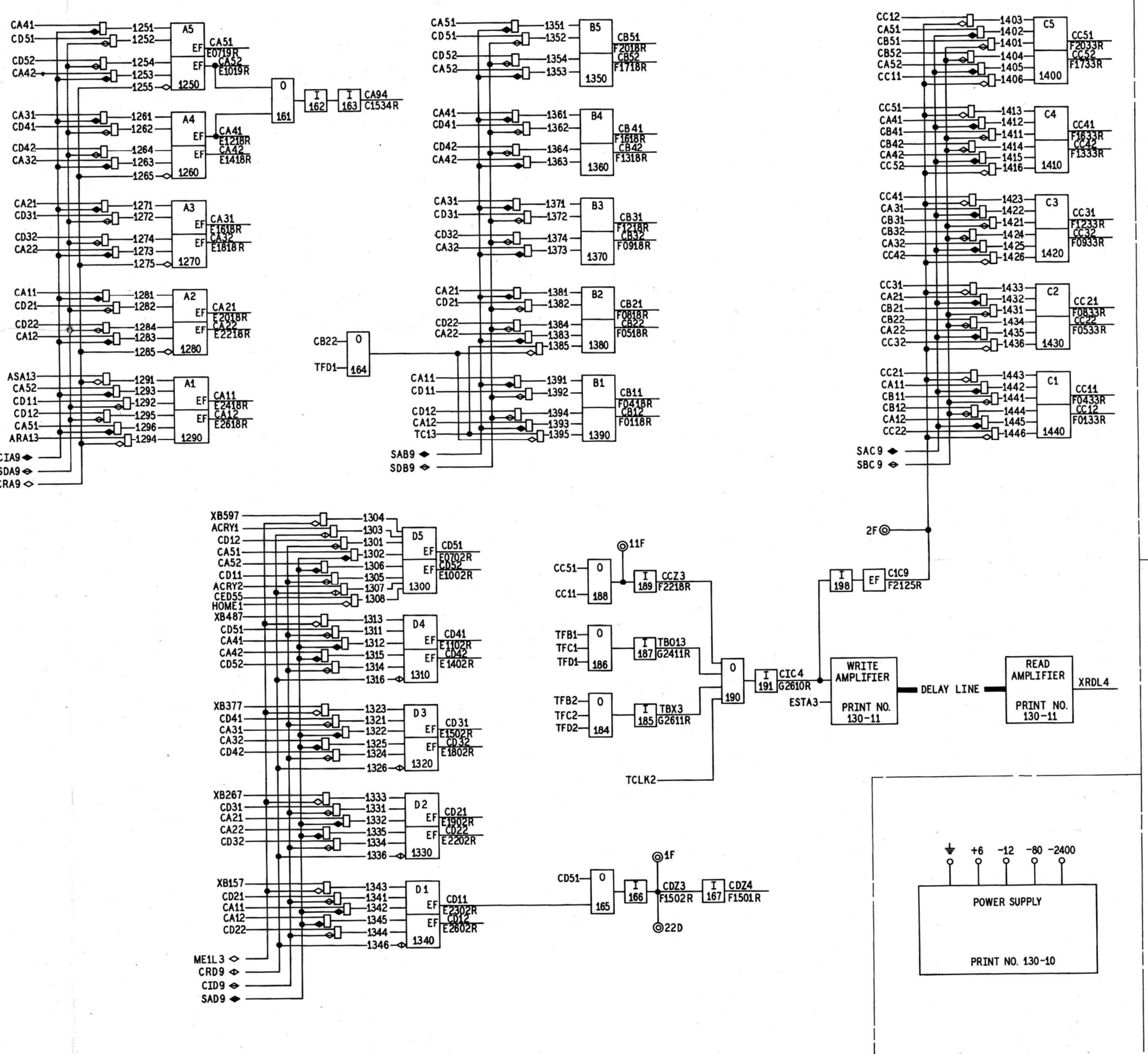
REGISTER & SHIFT CONTROL



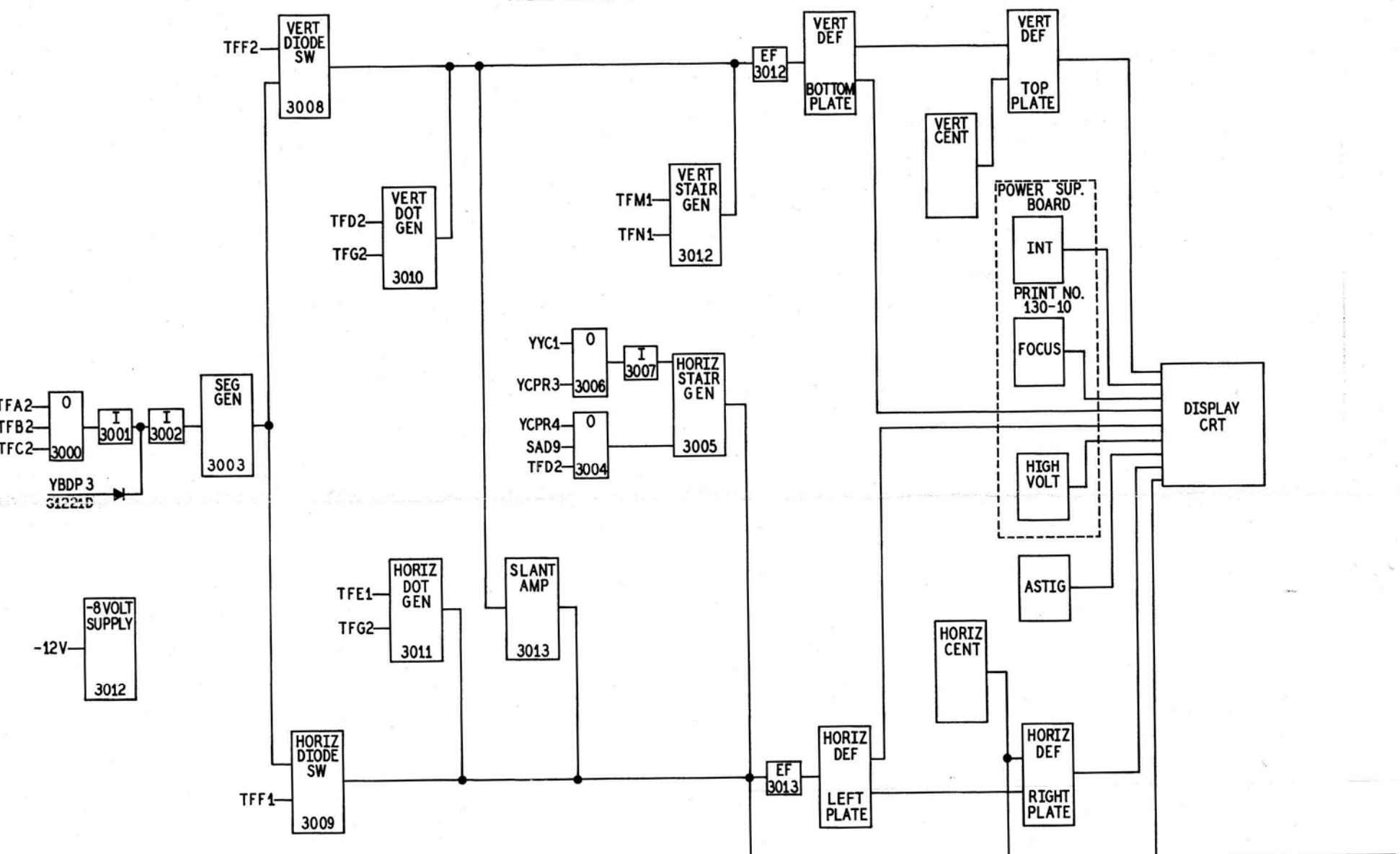
TIMING



LOGIC COUNTERS



DISPLAY DEFLECTION



DISPLAY BLANKING

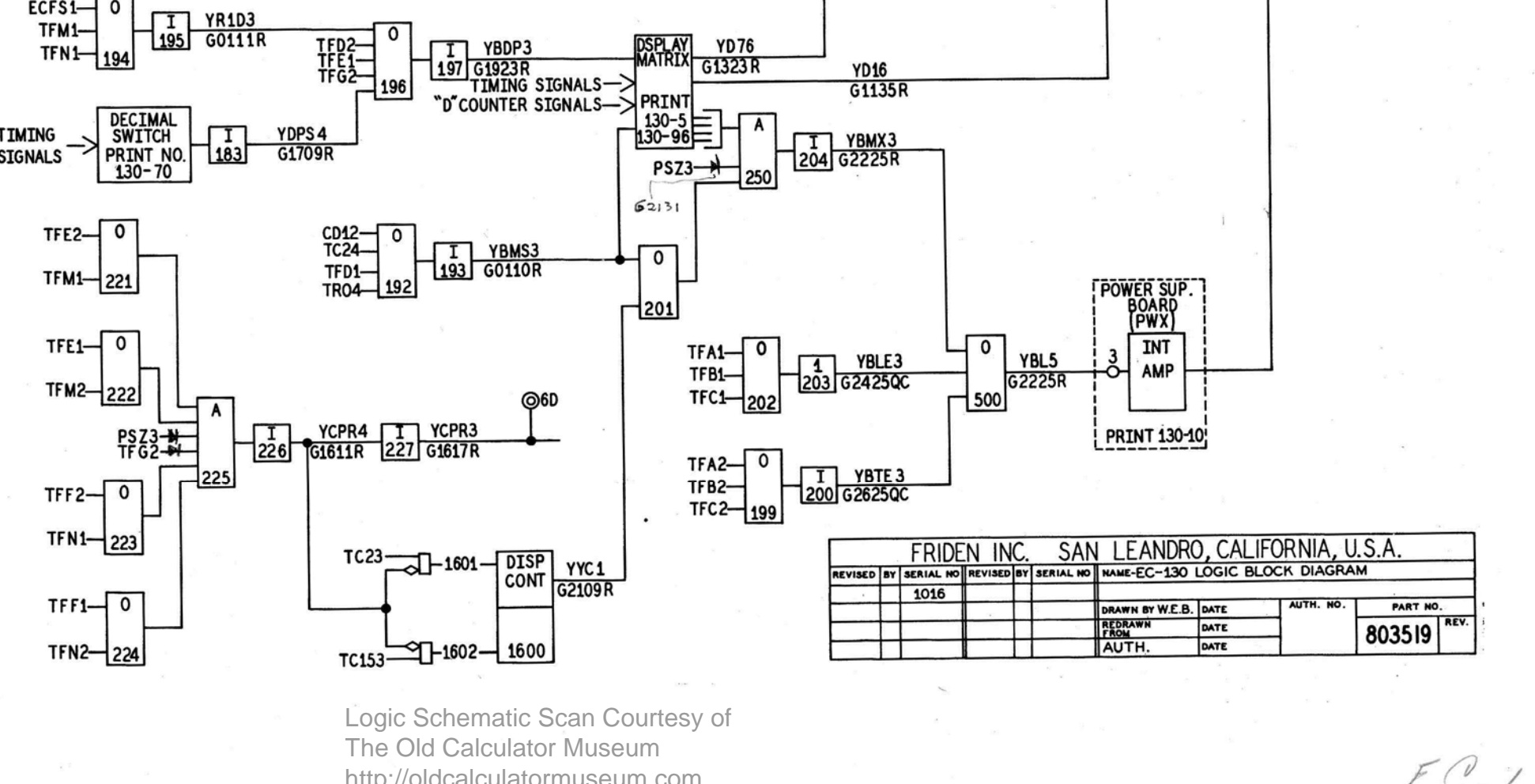


Table with 4 columns: REV, AUTH, DATE, PART NO. The table contains revision information for the document.

EC-130